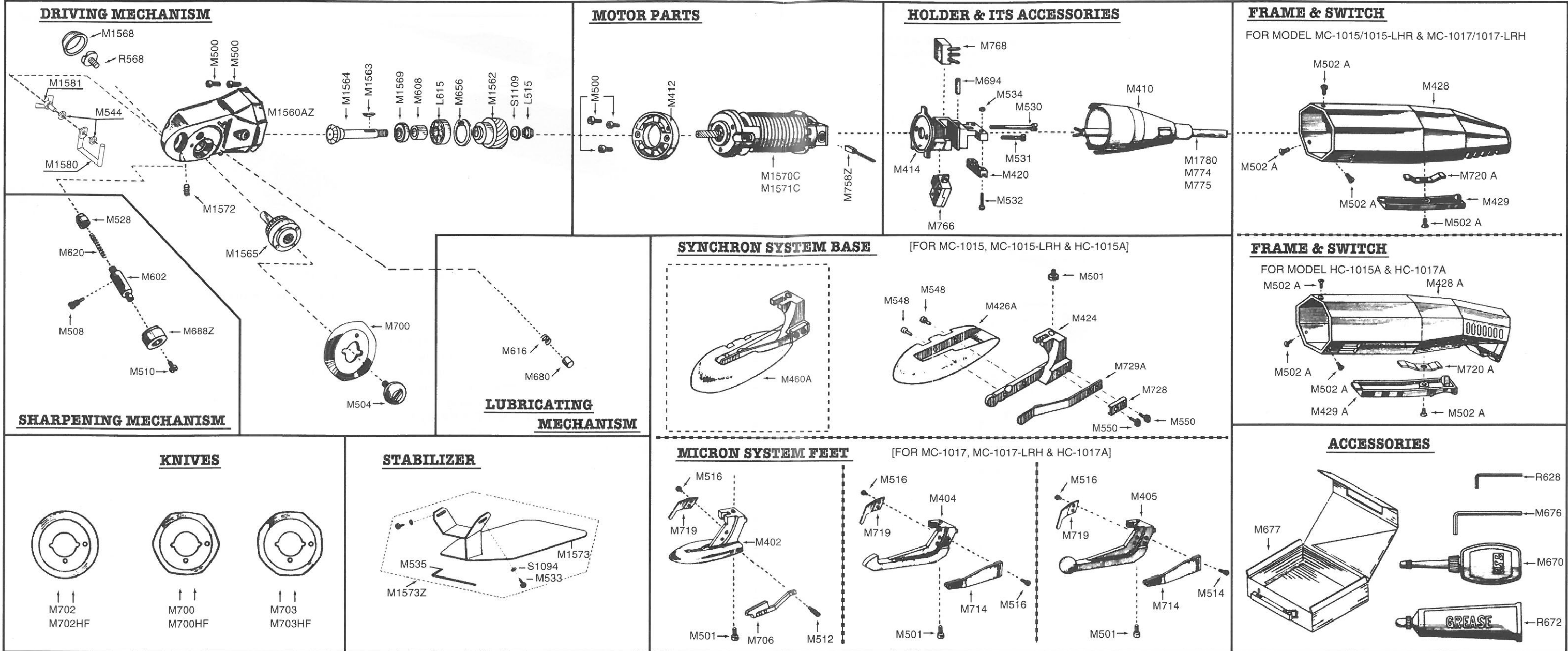




# ELECTRIC Mini-TUFF Cutter (MODEL MC-1015 AND MC-1017 AND HC-1015A AND HC-1017A)

## PARTS LISTS



### DRIVING MECHANISM

- M1581.....Wing Bolt
- M504..... Knife Lock Screw
- L515 ..... Nut
- R568..... Flat Head Screw
- M1572.....Set Screw
- M608.....Spacer
- L615 .....Ball Bearing
- M656..... Snap Ring
- M700..... 6-Sided Knife
- M1560Z ..... Gear Housing
- M1562..... Helical Gear
- M1563..... Key
- M1564..... Driving Shaft
- M1565..... Bevel Gear
- M1568..... Busing
- M1569.....Ball Bearing
- S1109 .....Washer
- M1580.....Finger Guard
- M544.....Washer

### SHARPENING MECHANISM

- M508.....Stepped Screw
- M510.....Flat Head Screw
- M528.....Push Button
- M602.....Stepped Shaft
- M620.....Spnging
- M688Z .....Sharpening Stone

### LUBRICATING MECHANISM

- M616.....Spring
- M680.....Oil Pad

### MOTOR PARTS

- M412.....Insulator
- M500.....Allen Screw
- M758Z ...Carbon Brush Complete
- M1570C ...Motor (110V) Complete

- M758Z ...Carbon Brush Complete
- M1571C ....Motor (220V) Complete
- M758Z ...Carbon Brush Complete

### SYNCHRON SYSTEM BASE

- [FOR MC-1015, MC-1015-LRH & HC-1015A]
- M460A .....Complete Base
- M424.....Cutting Foot
- M426A .....Base Plate
- M548.....Flat Head Screw
- M550.....Flat Head Screw
- M728.....Plate
- M729A .....Counter Blade
- M501.....Flat Head Screw

### MICRON SYSTEM FEET

- [FOR MC-1017, MC-1017-LRH & HC-1017A]
- M402.....Base
- M404.....Cutting Guide
- M405.... Ball Pointed Cutting Guide
- M501.....Flat Head Screw
- M512.....Screw for Base
- M514.....Fillister Head Screw
- M516.....Truss Head Screw
- M706.....Cutting Tip (base)
- M714.....Cutting Tip (Guide)
- M719.....Spring Plate

### HODLER & ITS ACCESSORIES

- M410.....Cord Cover
- M414.....Holder
- M420.....Crip

- M503.....Flat Head Screw
- M531.....Round Head Screw
- M532.....Round Head Screw
- M534.....Nut
- M694.....Terminal
- M1780.....Cord (110V) 2 pin
- M776.....Cord (220V) 3 wire
- M775.....Cord (110V) 3 pin (UL)
- M766.....Micro Switch
- M768.....Condenser

### FRAME & SWITCH

- M428.....Frame (For MC-1015 and 1017)
- M428A .....Frame (For HC-1015A and 1017A)
- M429.....Switch Cover (For MC-1015 and 1017)

- M429A .....Switch Cover (For HC-1015A and 1017A)
- M502A .....Socket Screw
- M720A .....Spring Plate

### ACCESSORIES

- R628 .....Small Allan Key
- M670.....Oiler
- R672.....Tube of Grease
- M676.....Large Allen Key
- M677.....Vynyle Pouch

### KNIVES (Standard)

- M700.....6-Sided Knife (Mounted with Cutter)
- M702.....Round Knife (Included as Accessories)

- M703.....8-Sided Knife (Option as Extra Accessories)

### KNIVES (Heat Free Teflon)

- M700HF.....6-Sided Knife (Option)
- M702HF.....Round Knife (Option)
- M703HF.....8-Sided Knife (Option)

### STABILIZER

- For MC-1015/1017 & HC-1015A/1017A
- MC1015-LRH/1017-LRH
- M1573Z .... Stabilizer Complete
- M1573.....Stabilizer
- M533.....Allen Screw
- S1094 ..... Washer
- M535.....Allen Key